



The universal enclosure system

for use as a desktop and 19" enclosure

apra line



Sample configurations

apraline desktop enclosure

- impressive design with elegant lines and two-tone surface
- ergonomic recessed handles standard
- easy-to-maintain and cost-saving design principle; all cover plates can be easily removed from the assembled enclosure
- side pieces and universal mounting grid with 10mm increments create universal mounting combinations for various card depths and additional models of module rails
- optimum heat dissipation through ventilated bottom and rear parts
- earth connection in compliance with VDE
- IP 20/30 degree of protection
- installation dimensions in compliance with IEC 297-3

Matching front panels

see p. 5.67

Matching plug-in modules

see p. 5.75



Specifications

Application:

The apraline desktop enclosure was designed to hold 100mm x 160mm Europe cards and modules in compliance with IEC 297-3 as well as customized electronics.

Construction:

The identical, variable-width front and rear frames consist of two side plastic pieces, which are connected with aluminium extrusions. These frames are connected by plugged-in deepening sections and are screwed on to the mounting rails. Ergonomic recessed handles and grooves for using mounting nuts and universal mounting grids with 10mm increments are built into the deepening extrusions.

The top and bottom shells and rear panel are made out of aluminium and are available in ventilated or solid versions.

Finish:

Cover panels: RAL 7035 light grey

Frame and side extrusions:

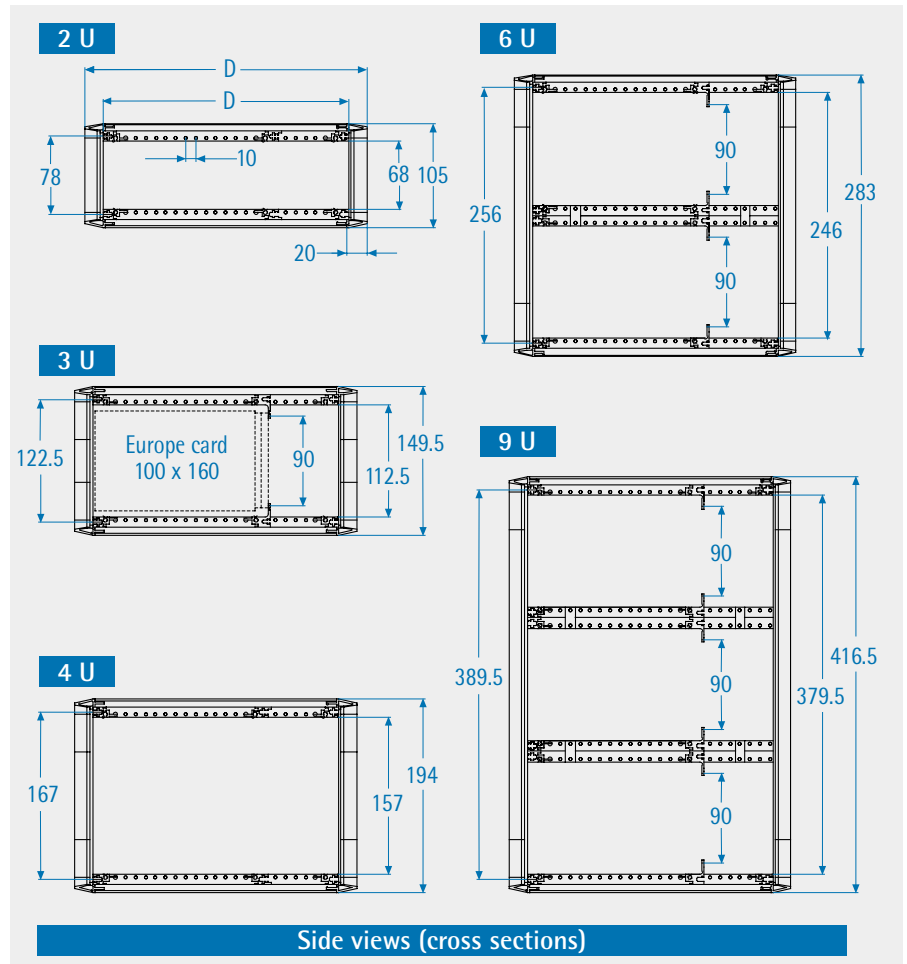
RAL 7001 silver grey

Degree of protection:

IP 20/30

Delivery:

assembled



Available sizes

U	HP	W mm	D ₁ mm	D ₂ mm	D ₃ mm	D ₄ mm	D ₅ mm
2	84	478	262	302	-	-	-
	63	371					
	42	264					
	28	193					
3	84	478	262	302	342	382	482
	63	371					
	42	264					
	28	193					
4	84	478	262	302	342	382	482
	63	371					
	42	264					
	28	193					
6	84	478	262	302	342	382	482
	63	371					
	42	264					
	28	193					
9	84	478	-	-	342	382	482

U: available height units

HP: available installation width

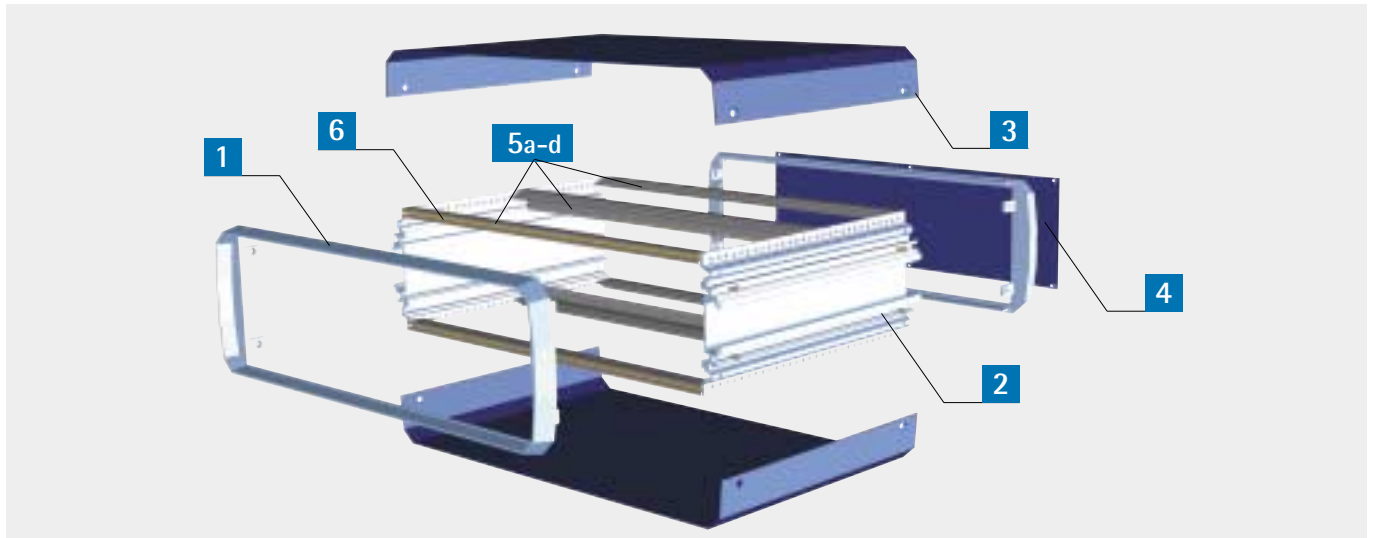
D₁₋₅: available enclosure depths

d: available installation depth

d₁₋₅=D₁₋₅ - 40mm



Included in delivery



Item	Description	2 U	3 U	4 U	6 U	9 U
1	Frame	2	2	2	2	2
2	Side panel	2	2	2	4	6
3	Top/bottom shell (ventilated/not ventilated)	2	2	2	2	2
4	Rear panel (ventilated/not ventilated)	1	1	1	1	1
5a	Module rail without front projection, type 241-030	6	4	4	4	4
5b	Module rail with integrated mounting rail and notch, type 266-006	-	2	-	4	6
5c	Module rail, standard, type 240-022	-	-	2	-	-
5d	Module rail, standard with notch, type 280-022	-	-	-	2	4
6	Threaded insert, M2.5	2	2	2	4	6
7	Assembly material, incl. 4 feet	1 set	1 set	1 set	1 set	1 set

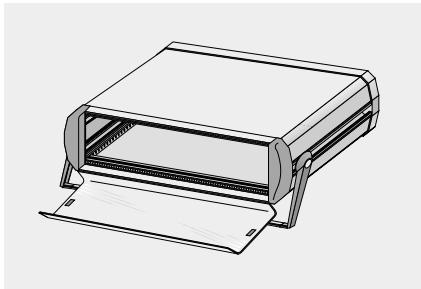
Order information

Dimensions			IP 30					IP 20				
			without vents					with vents in rear panel and one shell				
U	HP	W mm	D = 262 mm	D = 302 mm	D = 342 mm	D = 382 mm	D = 482 mm	D = 262 mm	D = 302 mm	D = 342 mm	D = 382 mm	D = 482 mm
2	84	478	280-201	280-211	-	-	-	280-251	280-261	-	-	-
	63	371	280-202	280-212	-	-	-	280-252	280-262	-	-	-
	42	264	280-203	280-213	-	-	-	280-253	280-263	-	-	-
	28	193	280-204	280-214	-	-	-	280-254	280-264	-	-	-
3	84	478	280-301	280-311	280-321	280-331	280-341	280-351	280-361	280-371	280-381	280-391
	63	371	280-302	280-312	280-322	280-332	280-342	280-352	280-362	280-372	280-382	280-392
	42	264	280-303	280-313	280-323	280-333	280-343	280-353	280-363	280-373	280-383	280-393
	28	193	280-304	280-314	280-324	280-334	280-344	280-354	280-364	280-374	280-384	280-394
4	84	478	280-401	280-411	280-421	280-431	280-441	280-451	280-461	280-471	280-481	280-491
	63	371	280-402	280-412	280-422	280-432	280-442	280-452	280-462	280-472	280-482	280-492
	42	264	280-403	280-413	280-423	280-433	280-443	280-453	280-463	280-473	280-483	280-493
	28	193	280-404	280-414	280-424	280-434	280-444	280-454	280-464	280-474	280-484	280-494
6	84	478	280-601	280-611	280-621	280-631	280-641	280-651	280-661	280-671	280-681	280-691
	63	371	280-602	280-612	280-622	280-632	280-642	280-652	280-662	280-672	280-682	280-692
	42	264	280-603	280-613	280-623	280-633	280-643	280-653	280-663	280-673	280-683	280-693
	28	193	280-604	280-614	280-624	280-634	280-644	280-654	280-664	280-674	280-684	280-694
9	84	478	280-901	280-911	280-921	280-931	280-941	280-951	280-961	280-971	280-981	280-991



Accessories

Front door, flip-down

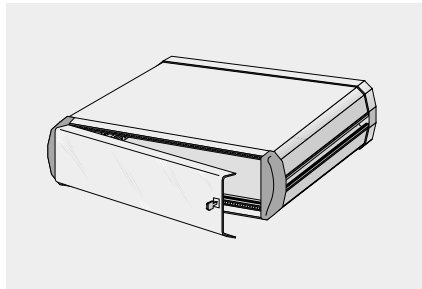


Included in delivery

Item	Pc.	Description
1	1	fully assembled door consists of frame, hinges and plexiglass pane
2	2	sash fasteners

HP	Part no.		
	3 U	4 U	6 U
28	280-106	280-116	-
42	280-107	280-117	-
63	280-108	280-118	280-178
84	280-109	280-119	280-179

Front door, hinged



Included in delivery

Item	Pc.	Description
1	1	fully assembled door consists of frame, hinges and plexiglass pane
2	1	sash fastener

HP	Part no.		
	3 U	4 U	6 U
28	280-101	280-111	280-171
42	280-102	280-112	280-172
63	-	-	-
84	-	-	-

Description	Part no.
Lock	446-001

Prop-up and carrying handle



- handle can be set 30° by pressing a button to snap it into place

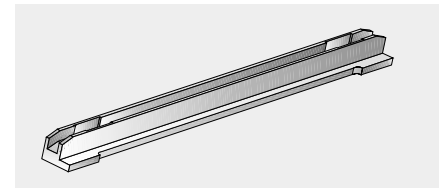
Carrying capacity: up to 50kg

Finish:

RAL 7035 light grey

84 HP	Part no. 63 HP	42 HP
28-0100-84	28-0100-63	28-0100-42

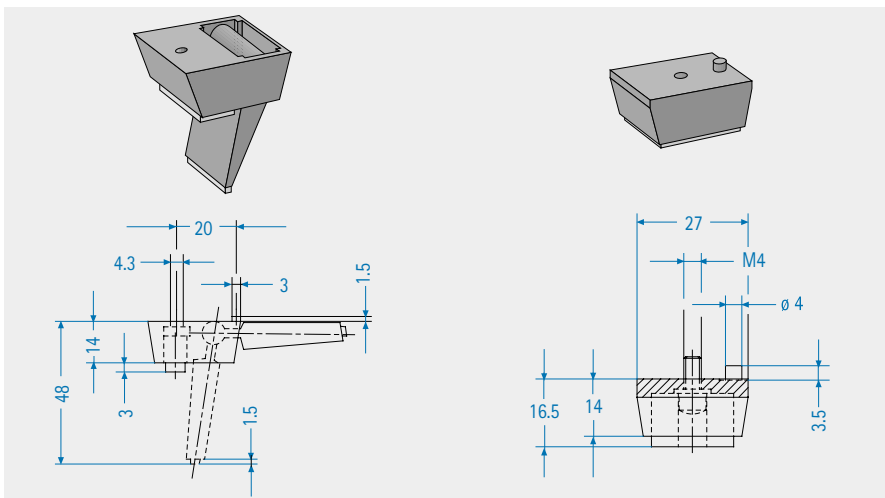
Card guide



- for 160mm-long Europe cards

Part no. (1 piece)
240-401

Hinged feet and base feet set



Included in delivery

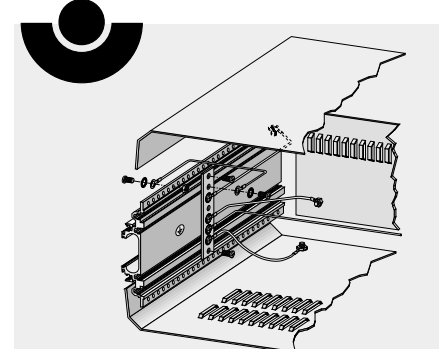
Item	Pc.	Description
1	2	Hinged feet
2	2	Rear base feet
3		Assembly material

Part no. (set)
615-019

Earth conductor set

Tested by the German Technical Committee for Electrical Engineering of the Professional Association of Precision Mechanics and Electrical Engineering, Cologne

Test point



- for earth connection in compliance with VDE

U	Part no.
3	140-033
4	140-034
6	140-036
9	140-039